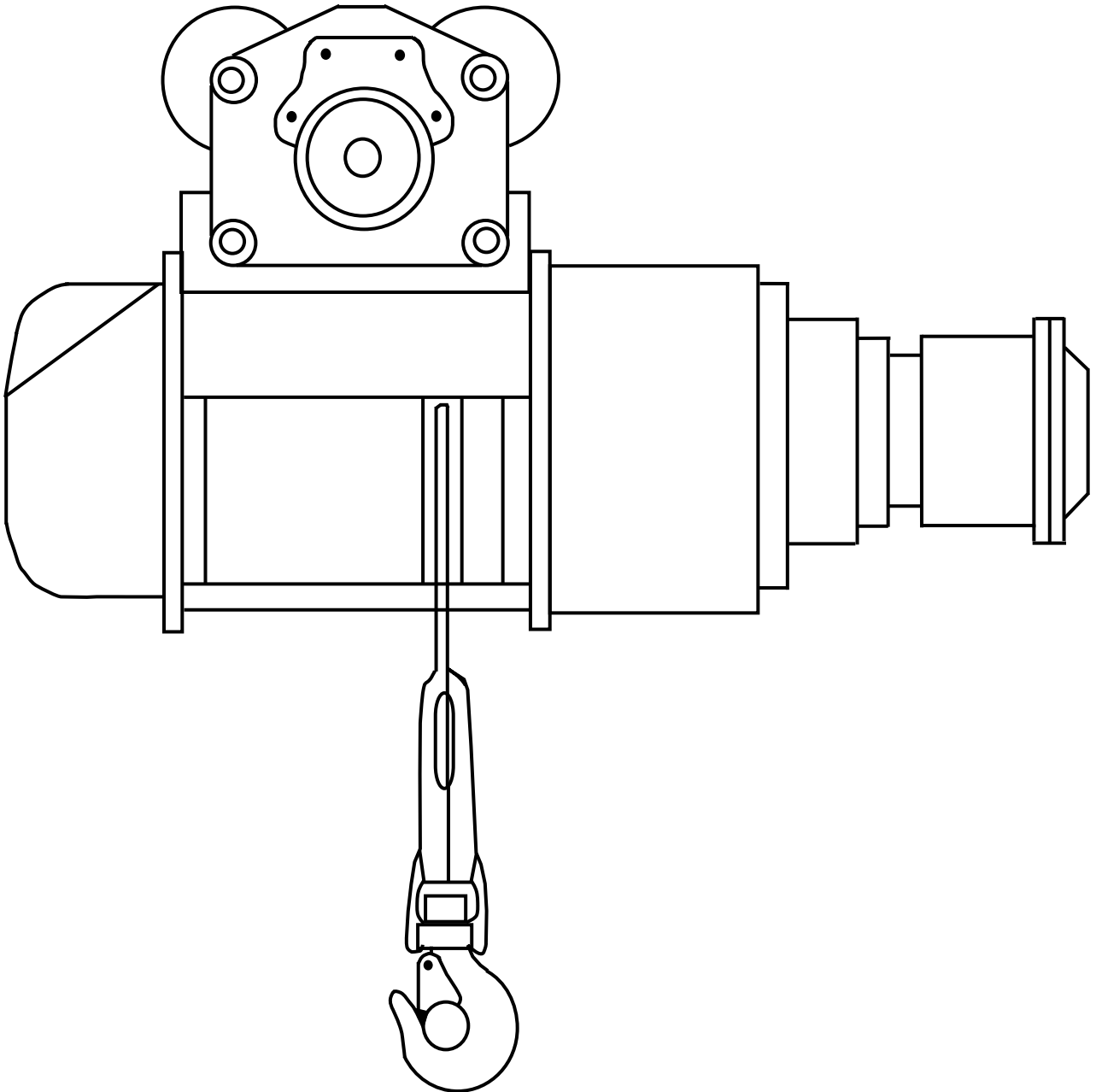
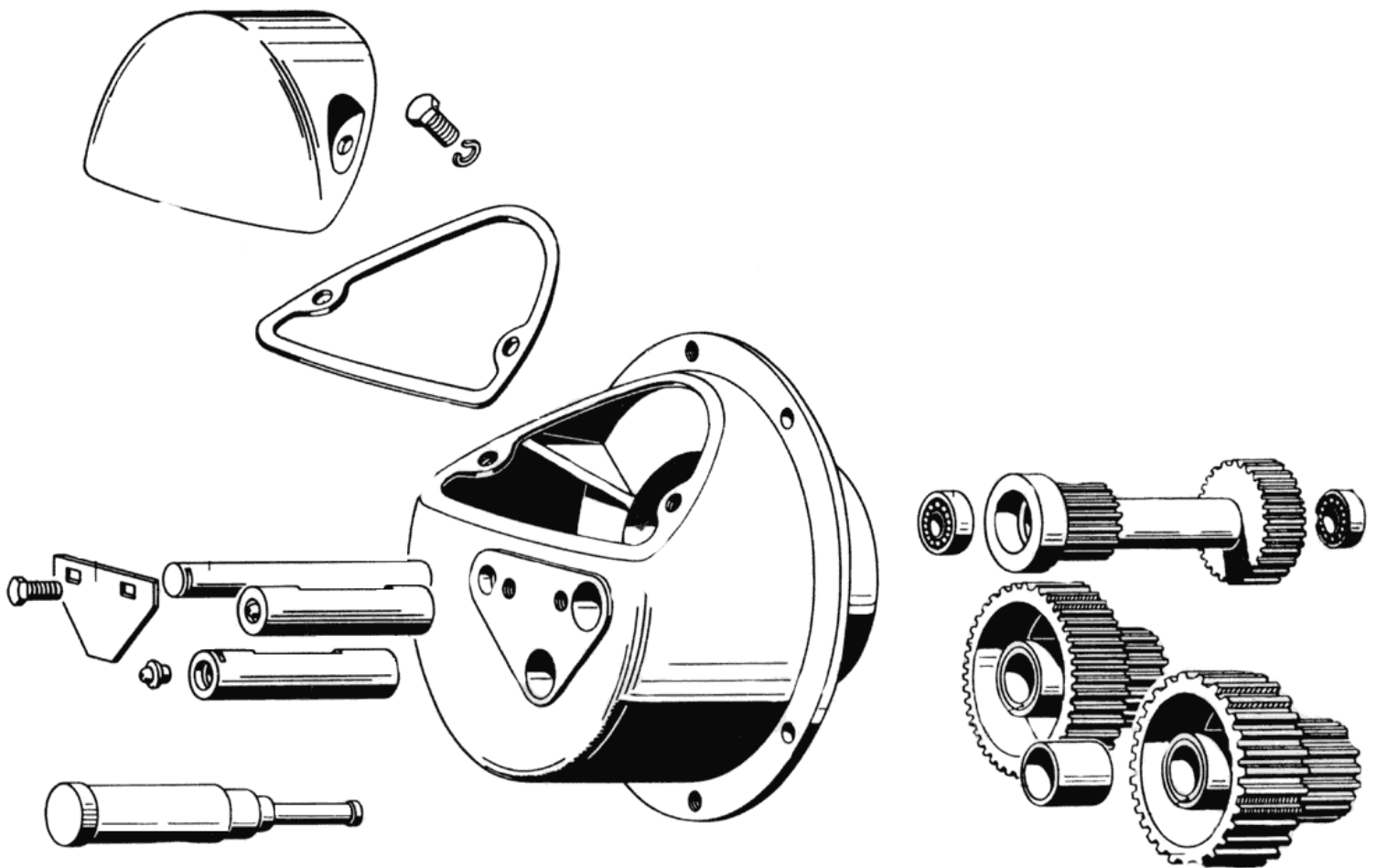


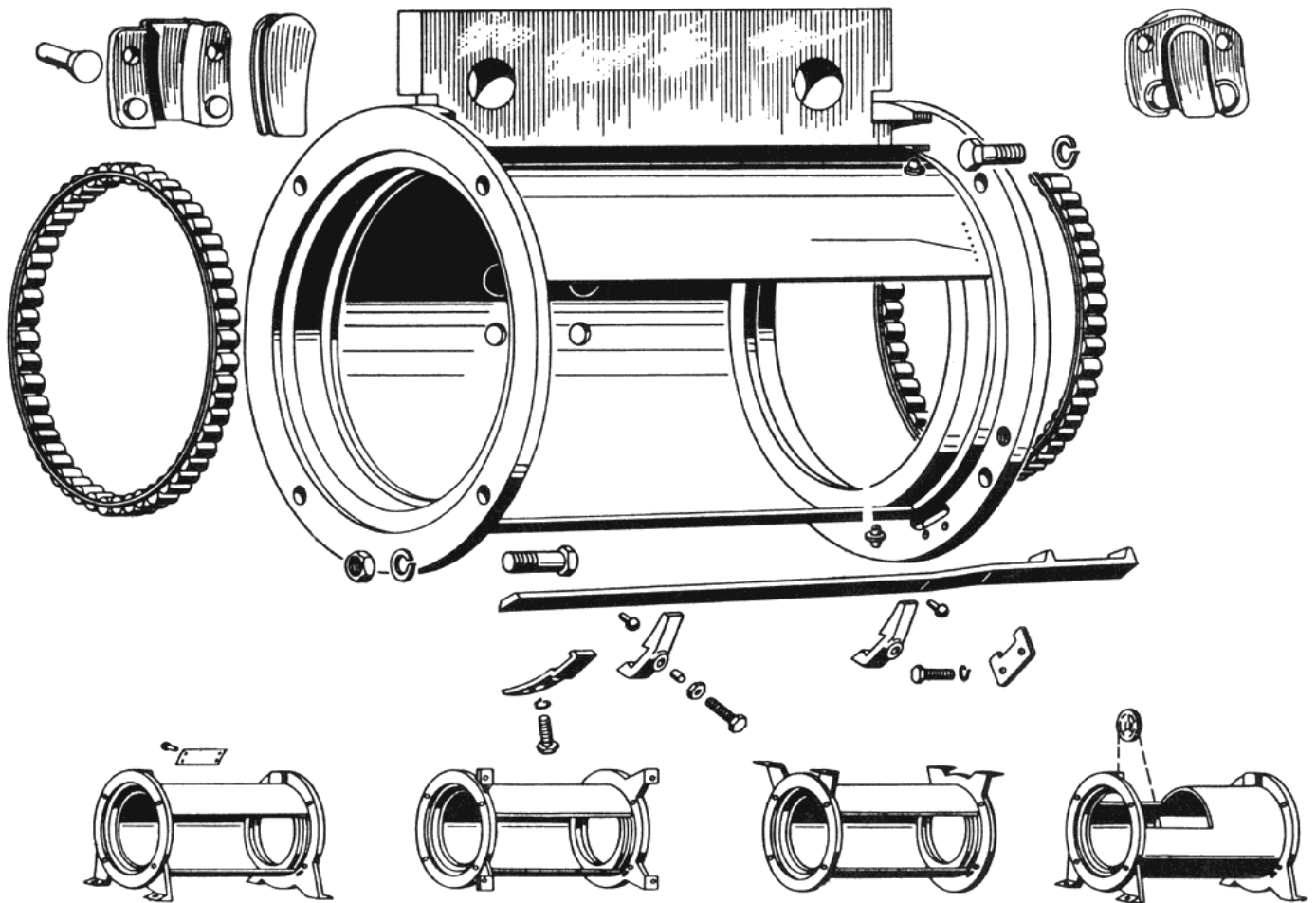
K7 - K50



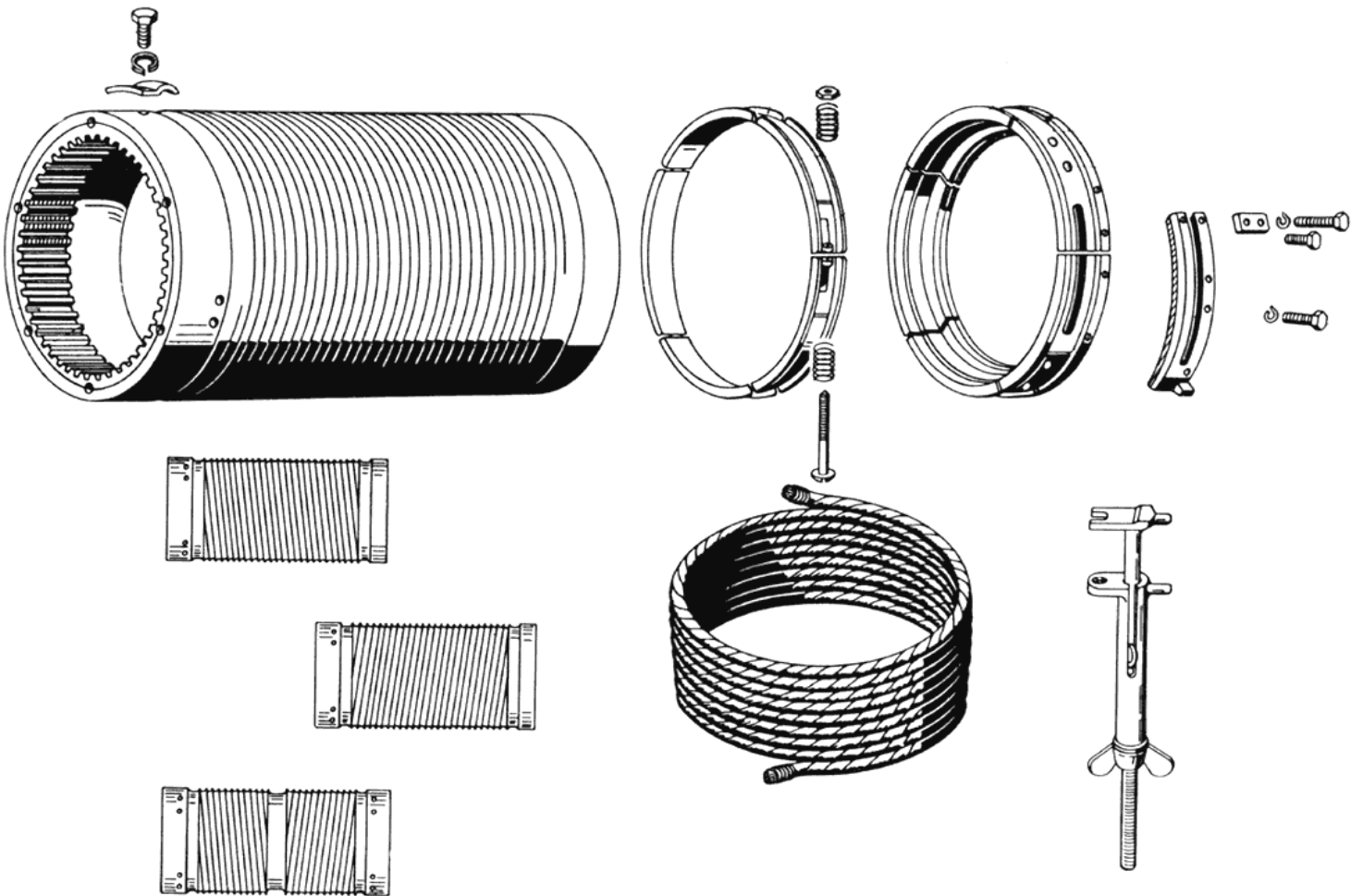
Getriebe K7 - K50



Mantel K7 - K50



Trommel K7 - K50



Hubmotor K7 - K50

